

AIRSAFE FIFTH WHEEL HITCH SYSTEM

LIMITED 2 YEAR WARRANTY

The AIRSAFE Fifth Wheel Hitch System is warranted against defects in material and workmanship under normal use and service, ordinary wear and tear excepted, for 2 years from the first date of purchase at retail. Any part found to have a defect in material or workmanship, will be repaired or replaced at the manufacturer's option when returned with transportation charges prepaid. Include a copy of the original sales receipt when returned for warranty. This warranty does not cover the condition, durability or appearance of the finished product.

If the hitch is damaged as a result of improper installation, alteration, vehicle accident, misuse of unreasonable use, including but not limited to , loading the product beyond the factory rated load capacity, the manufacturer shall not be required to repair or replace such product. In every case, this warranty covers only the defective part and does not provide for reimbursement of the retail price of the part or labor charges.

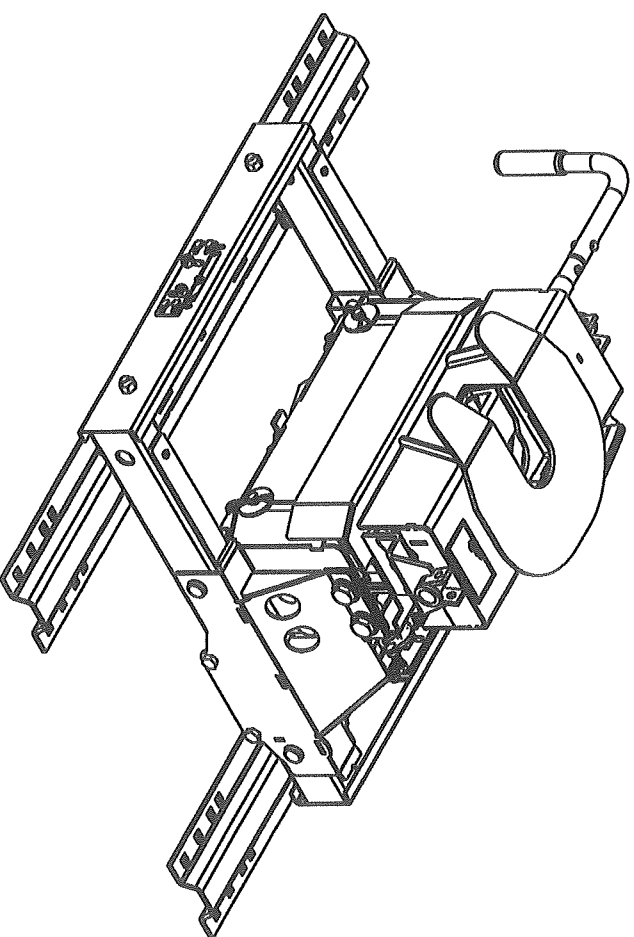
The manufacturer shall not be liable for any incidental or consequential damages for breach of any express or implied warranty.

There are no warranties that extend beyond the description on the face hereof. The manufacturer is extending no other warranties, express or implied, nor any warranties of merchantability or fitness for a particular purpose. Any such warranties of merchantability or fitness for a particular purpose are expressly excluded.

This warranty is designed and intended to fully comply with the requirements of the Magnusson-Moss Warranty Act and all regulations issued by the federal trade Commission in connection therewith. It is not intended to violate any state law or regulation containing more stringent requirements, and such requirements automatically become part of this warranty insofar as required by that act.

The owner has available the legal remedies provided by the Magnusson-Moss Warranty Act, Public Law 93-637, 99 STAT.2183-2193; 15 U.S.Code, Secs 23021-2312, and any applicable state statutes.

For warranty assistance, contact Air Hitch Technology at 1-866-41-HITCH (1-866-414-4824., weekdays 8:00 AM to 5:00 PM (Central)).



THE REVOLUTION

MODEL # 18828

(AIRSAFE 18K Extender)

AIRSAFE

HITCH SYSTEM

Installation Instructions

And

User Guide

Table of Contents

SAFETY AND CAUTIONS..... 2

PARTS VIEW..... 3

UNPACKING YOUR AIRSAFE HITCH..... 4

HITCH INSTALLATION..... 4

PREPARING FOR FIRST USE..... 5

MAINTAINING YOUR AIRSAFE TOWER SYSTEM..... 6

LIMITED 5 YEAR WARRANTY..... 7

Once you arrive at your destination, follow these simple steps to properly uncouple your coach from your AIRSAFE 5th Wheel Hitch.

1. Block your coach wheels front and rear.
2. If necessary, start your truck and back up against the kingpin to relieve pressure on the locking mechanism. Set the parking brake, put the transmission in park and turn off your vehicle's engine.
3. Extend the front landing gear of the coach until the weight of the coach is just off of the tabletop of the hitch. Do not exceed 1/16" gap between the bottom plate of the kingpin box and the tabletop of the hitch. **Caution: Raising the coach too high while still connected to the hitch can damage the hitch head and other parts of the hitch system, as well as components of the coach. Do not extend the rear stabilizers of the coach prior to or during uncoupling.**
4. Disconnect the electrical and breakaway connectors in accordance with the coach owner's manual. Retract the hitch head locking mechanism and lock in the open position according to the manufacturer's instructions.

You are now ready to pull your truck slowly away from the coach.

Maintaining Your AIRSAFE Hitch System

1. Always operate and maintain the hitch head installed with the airbox system according to the manufacturer's instructions.
2. After the first 100 miles, and at least once a year thereafter, inspect all bolts for proper tightness. Re-tighten bolts as needed. All fasteners should be torqued to 65 ft-lbs unless otherwise stated in the Installation Instructions (see Chapter 1).
3. Periodically inspect your airbox for wear or damage. If excessive wear or damage is found, contact Air Hitch Technology for assistance at 1-866-41-HITCH (866-414-4824).

Chapter

2

AIRSAFE Operation and Maintenance

Preparing for First Use

Your AIRSAFE Hitch is now installed and you're anxious to be on your way down the road. You're almost there, but take a few minutes to ensure your hitch is set up properly for your particular truck/coach combination by following the steps below.

Refer to hitch head manufacturer's instructions for proper operation of your particular hitch head.

1. Verify the AIRSAFE is set at the proper height to provide a minimum of 5-1/2" clearance between the bottom of the trailer nose and the top of the truck bed/sides, and allows for a level towing attitude of the coach. If necessary, adjust the AirBox to the proper height, ensuring the bolts are re-torqued to 65 ft-lbs.
2. Ensure the coach wheels are blocked front and rear, and that the rear stabilizer jacks are fully retracted.
3. Level the coach so that the bottom plate of the kingpin box is level with the tabletop or "horseshoe" plate on the top of the hitch head.
4. Retract the hitch head locking mechanism according to the manufacturer's instructions.
5. Slowly back the truck so that the bottom plate of the kingpin box slides onto the tabletop & the kingpin slides fully into the throat of the hitch head. Set the parking brake of the truck & place the transmission into park.
6. Visually verify the locking mechanism has closed behind the kingpin and the kingpin box is resting on the tabletop. Positively lock the slide bar according to the manufacturer's instructions.
7. Attach the electrical and breakaway connectors to the proper receptacles in accordance with your coach owner's manual, remove the blocks from the wheels of the coach and double check that the hitch is properly attached to your coach.
8. Inflate the AirBox airbags until the bottom edge of the box top is located in the Green Area of the Red-Green-Red sticker.

Caution: Operation of the hitch with the airbags over or under inflated can cause damage and premature wear to the AIRSAFE Hitch system.

9. Fully retract the trailer's front landing gear.

Safety and Cautions

- Safety is of paramount importance in both installation and use of the Revolution AIRSAFE Hitch System. Observe all *Cautions* and *Notes* found in this manual, as well as common sense precautions to ensure the safety of yourself and others.
- The AIRSAFE Hitch is recommended for use only in regular size truck beds unless used in conjunctions with a hitch extender system for shorter bed trucks.
- The AIRSAFE Fifth Wheel Hitch System is designed to tow 5th Wheel Trailers with a Gross Vehicle Weight Rating not to exceed 18,000 lbs and pin weight of 4,000lbs. Exceeding the rated capacity is not recommended.
- The airbox is to be used only with the Hitch Head it is designed and sold for.
- Install the AIRSAFE Fifth Wheel Hitch System using bedrails that are rated for the Gross Vehicle Weight Rating of the Hitch Head (provided with hitch).
- **Caution:** On all installations, there must be a minimum of 5-1/2" clearance between the bottom of the trailer nose and the top of the truck bed/sides prior to inflation of the airbags. This is to prevent damage to the truck, trailer or hitch due to lack of clearance.
- **Caution:** Never inflate the Airsafe airbags over 100 psi.

Chapter

1

Unpacking and Installation

1. **Unpacking:** The AIRSAFE Extender Hitch Assembly ships assembled on one pallet. Inspect all parts for damage and verify that all items listed are present.

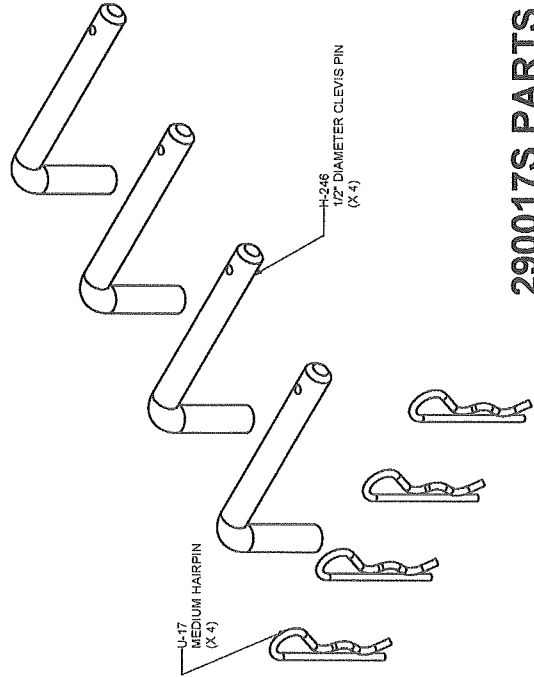
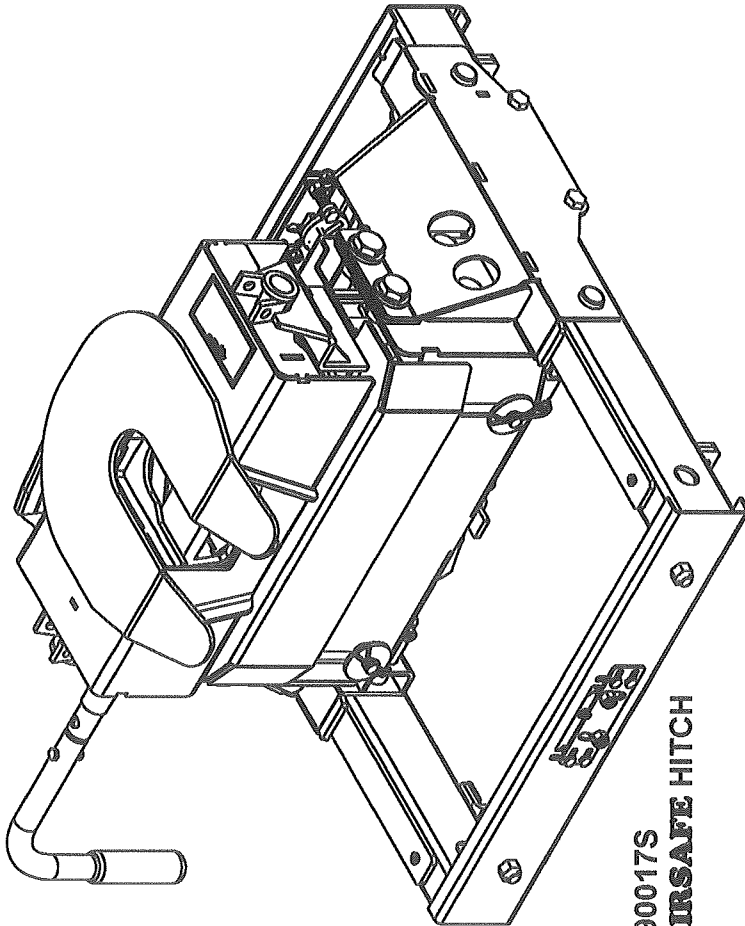
Box Contains:

Extender with 16K Hitch Head Installed (Qty 1)

2. **Hitch Installation**

- a. Install bed rails per manufacturer's instructions.
- b. Install the AIRSAFE Extender Hitch onto the bed rails, and secure with the H-246 1/2" dia clevis pins. Secure the clevis pins with the U-17 Medium Hairpins.
- c. If any fasteners need to be loosened during the installation process, re-torque to 65 ft-lbs.

Check for freedom of movement.



290017S PARTS